

## The MP-2000 Hydraulic Pressure Intensifier

### Features:

- In-Line Intensifier
- Rating to 2000 bar
- Multiple intensifications
- Reciprocating
- Automatic start/stop
- High Flow Rate
- No external controls
- All valves included
- Cost effective



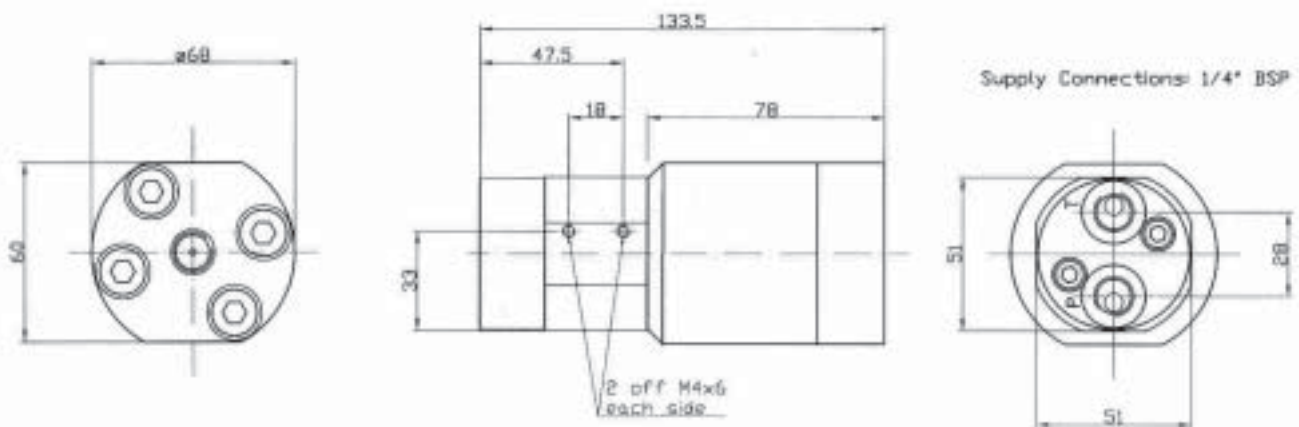
### Applications:

- Hydraulic Tools
- Torque Wrenches
- Bolt Tensioners
- Hydraulic Power Packs
- Offshore Applications

### Intensifications, Pressure & Flow

Intensification, i	Inlet pressure (bar)	Outlet Pressure (bar)	Inlet Flow (LPM)	Outlet Flow (LPM)
7.0	200	1400	12	1.1
10.0	200	2000	12	0.7
13.0	153	2000	10	0.5
16.0	125	2000	10	0.4

### Dimensions in mm



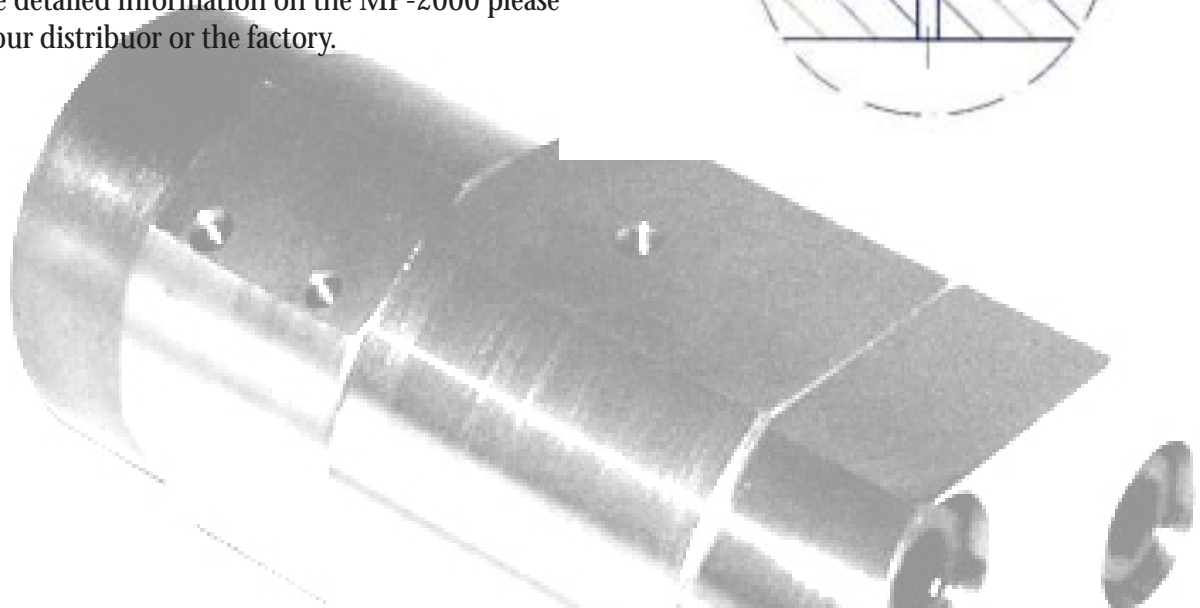
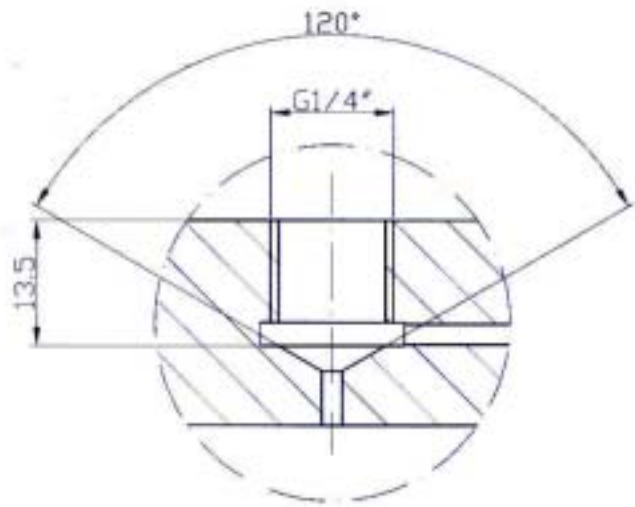
# The MP-2000 Pressure Intensifier

## Function:

The MP-2000 hydraulic pressure intensifier is reciprocating, and will automatically increase a supplied pressure to a higher end pressure. The end pressure (max. 2000 bar) is automatically maintained as long as the supply pressure is connected to the MP-2000. All high pressure valves are integrated, and the high pressure is controlled by valves on the supply side through the intensifier. As an option a pilot operated check valve, POV, can be integrated, allowing the high pressure side to be evacuated through the MP-2000.

For more detailed information on the MP-2000 please contact our distributor or the factory.

## High Pressure Connection



## General Data:

- Materials: Cast iron and steel. Static o-rings are made of NBR.
- Surface coating: Zinc-chrome
- Temperature Range: - 40°C to +120°C
- Fluids: Recognized hydraulic fluids and water glycol only. For other fluids contact distributor or manufacturer.
- Filtration: 10 µm nominal, max 19/16 according to ISO 4406

## Specifying a MP-2000

First choose if the pilot operated check valve POV is required, then decide the intensification ratio (i)

MP-2000 - - -

POV	
No	S
Yes	P

Intensification			
7.0	10.0	13.0	16.0

### Example:

MP-2000 with POV and intensification 10.0:  
**MP-2000-P-10.0**