

Features

- Leakage free
- High reliability
- 100% duty cycle
- Solenoid turnable 360°
- Corrosion protected

Function and design

The seated valves are direct operated. The valve balls are pressed or opened on the valve seat via springs or tappets. The 4/2-module are pilot pressure operated. Ceramic valve balls and hardened seats ensure long life.

Seated valves	Type WVH700
NG 4 up to 700 bar	up to 12 l/min



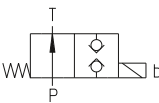
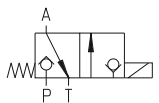
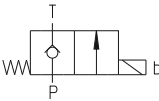
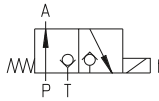
Type of operation

Solenoids with plug-in coil technology and integrated manual override.

Technical data

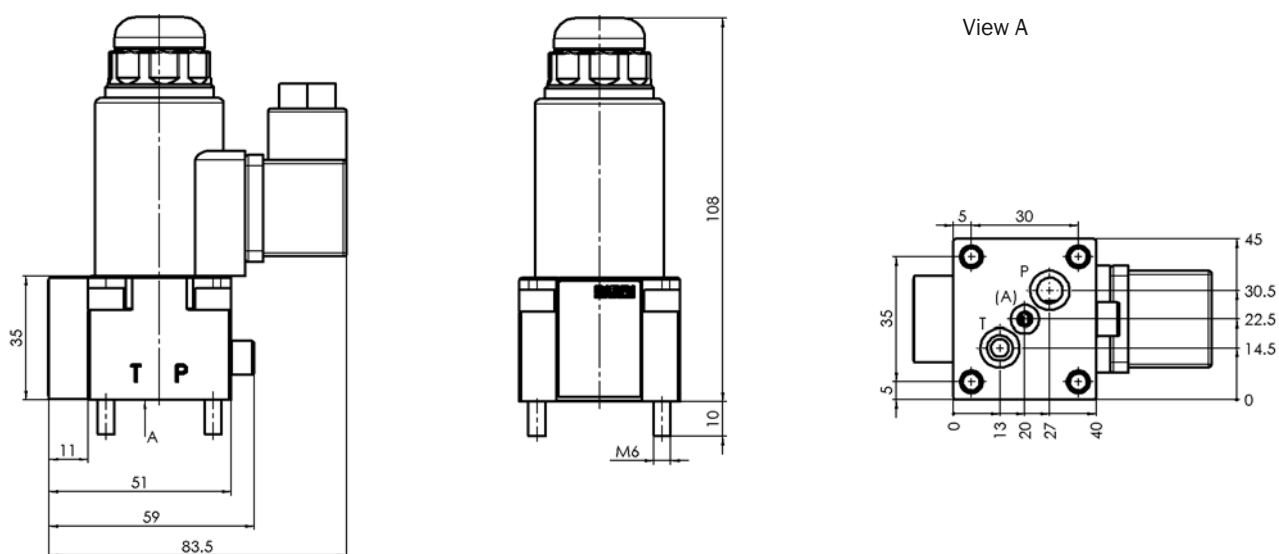
Hydraulic fluid	mineral oil according to DIN 51524 (other fluids on request)		
Fluid temperature range	-20 to 80 °C		
Ambient temperature range	-20 to 50 °C		
Viscosity range	5 to 400 mm ² /s		
Porting	NG 4		
Operating pressure max. connection P, A, B, T	700 bar	Pressure difference from P to A, B to T must be adhered ($p_P > p_A \geq p_B > p_T$) The valves have to be operated only in arrow direction (see valve symbols)	
Flow rate max.	12 l/min		
Filtration	according to ISO/DIN 4406 17/15/12		
Weight	see dimension drawings		
Duty cycle ED	100%		
Power	solenoid	24 VDC	23 W
	solenoid	110 VAC	25 W
	solenoid	230 VAC	25 W
Power tolerance	+/- 10%		
Switching time	40-120 ms		
Degree of protection according DIN 40050	IP 63 (solenoid IP 65)		
Material	corrosion-resistant steel and aluminium Coil: ZnFe - corrosion protection		

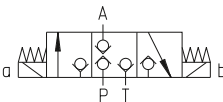
Seated valves	Type WVH700
NG 4 up to 700 bar	up to 12 l/min

Function	Solenoid operated	Function	Solenoid operated
2/2-WS		3/2-L	
2/2-WO		3/2-N	

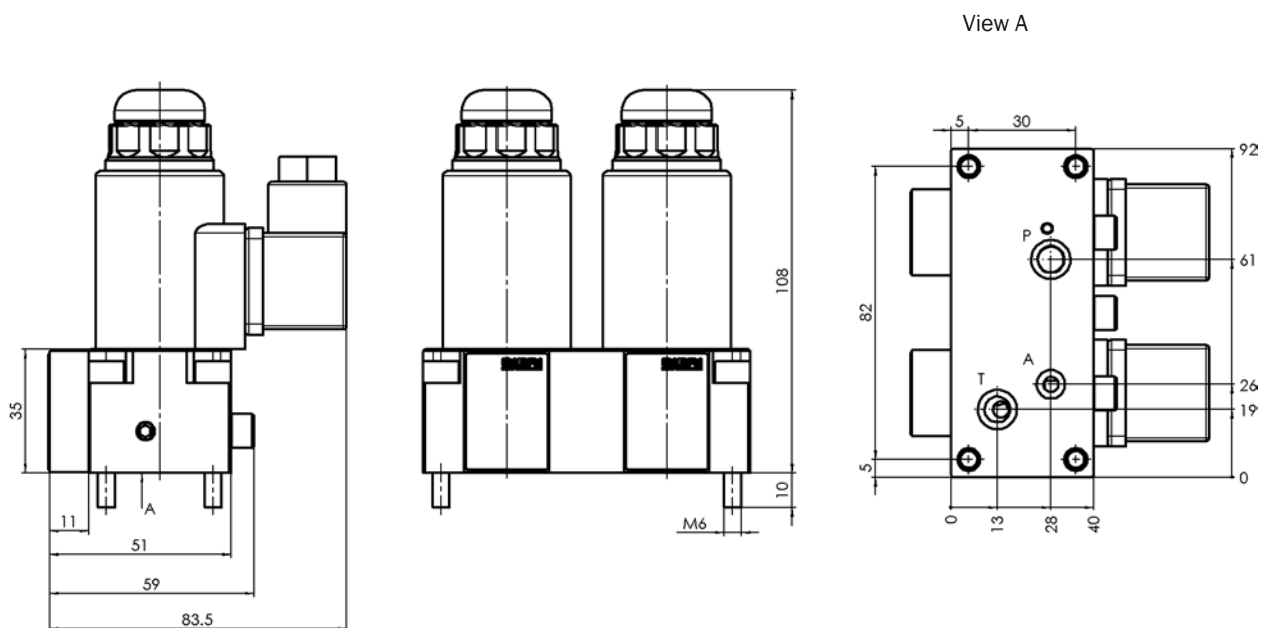
Weight 0,85 kg

3/2-valves with negative overlap



Function	Solenoid operated
3/3-K1	

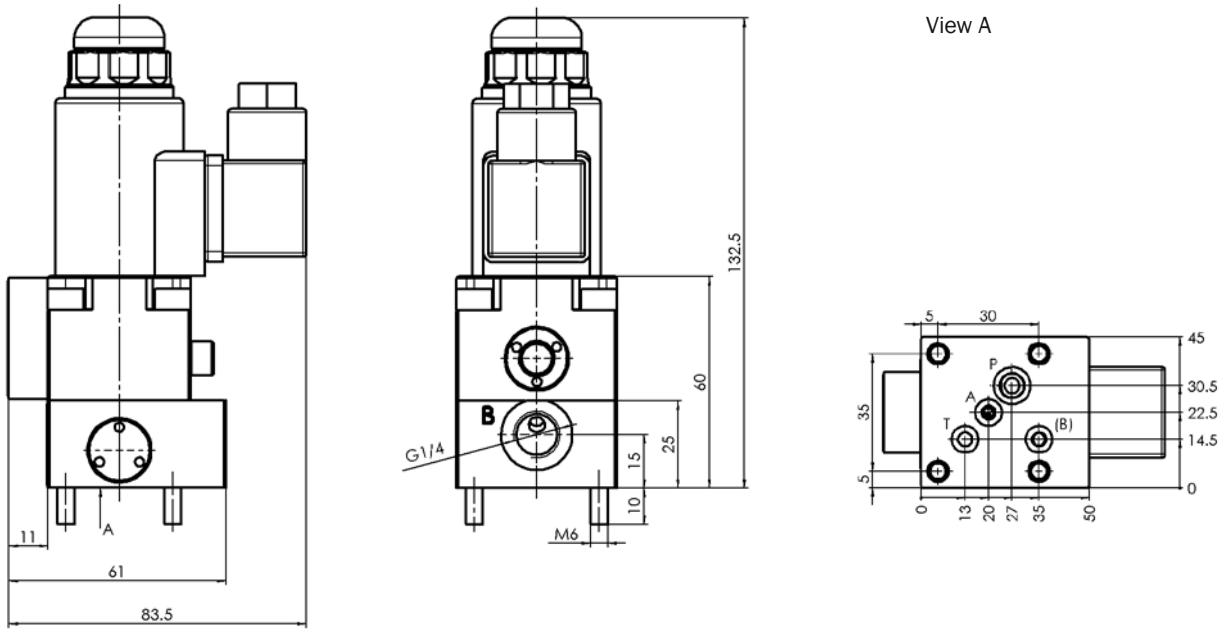
Weight 1,75 kg



Seated valves	Type WVH700
NG 4 up to 700 bar	up to 12 l/min

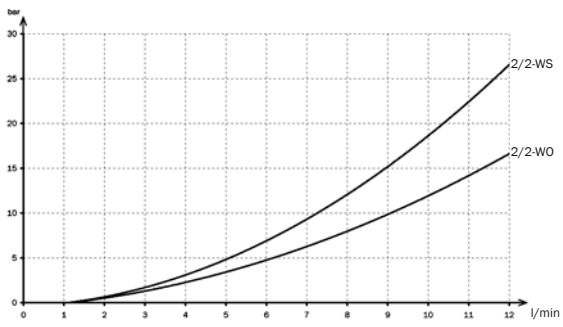
Function	Solenoid operated	Function	Solenoid operated
4/2-C		4/2-D	

4/2-valves with negative overlap (4/2-valves only available in design revision B)
 Weight 1,2 kg

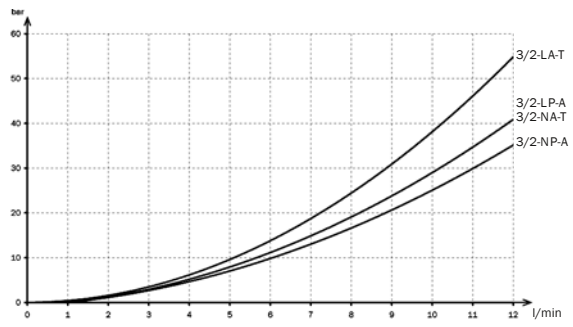


Characteristic

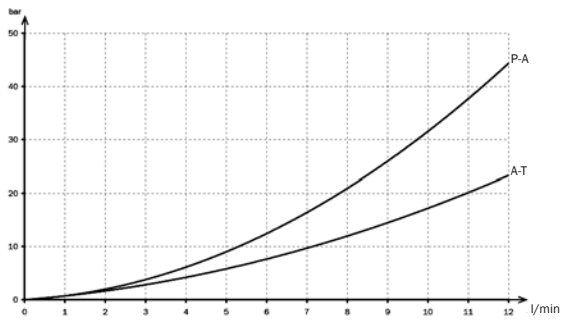
Measured at $v = 32 \text{ mm}^2/\text{s}$, $T = 40^\circ\text{C}$
 Back pressure 2/2-valves



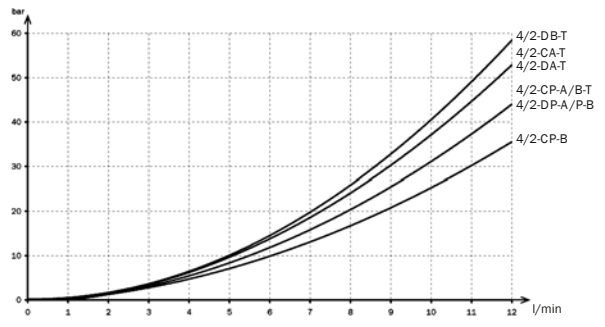
Back pressure 3/2-valves



Back pressure 3/3-valves



Back pressure 4/2-valves



Seated valves	Type WVH700
NG 4 up to 700 bar	up to 12 l/min

Ordering code: Example

WVH	700	-	4	-	2	/	2	-	WS	-	24	-	V	-			00
-----	-----	---	---	---	---	---	---	---	----	---	----	---	---	---	--	--	----

Seated valve

Type HV700

Size 4

Ports 2, 3, 4

Positions 2, 3

Functions see table

Operated by	24	solenoid 24 VDC
	110	solenoid 110 VAC
	230	solenoid 230 VAC

Seals	V (FPM)
--------------	---------

Special design01 ... 99
(00 for standard)**Part index**Please leave it blank
(small letters a-z;
different letters do not effect interchangeability)**Design revision**(capital letters A-Z;
identical letters equal same connecting dimensions)**Accessories**

Check valve	part no. 60707
Return pressure stop	part no. 60711



For each valve the following is included (2/2, 3/2, 3/3)

1 piece O-ring 5 x 1,5 mm 80 Shore A	part no. 914156
2 pieces O-ring 8 x 1,5 mm 80 Shore A	part no. 914155
4 pieces fixing screws M6 x 35	part no. 905235

For 4/2-valves

4 pieces O-ring 5 x 1,5 mm 80 Shore A	part no. 914156
3 pieces O-ring 8 x 1,5 mm 80 Shore A	part no. 914155
4 pieces fixing screws M6 x 60	part no. 906147
1 piece seal holding disc for port B	part no. 71751

1 plug for A-solenoid (grey) and / or	part no. 901764
1 plug for B-solenoid (black)	part no. 901762

Tie bolts as well as subplates and multi-station subplates see technical data sheet APH700

As we are constantly improving our products, Bieri reserves the right to make changes to the technical specification without prior notice.

WVH700-EN-0211

Bieri Hydraulik AG

Könizstrasse 274
CH-3097 Liebefeld/Switzerland
Tel. +41 31 970 09 09
Fax +41 31 970 09 10
sales@bierihydraulics.com

BIERI
HYDAC INTERNATIONAL