

**The oil level switch with technical and economical advantages!**

- Small dimensions
- Guaranteed potentialfree switching
- Every length up to 1200 mm possible
- Directly threaded into the tank cover

**Various types available:**

- one level contact
- two level contacts
- one level and one temperature contact
- two level and one temperature contact

<b>Oil level switch</b>	<b>Type FS</b>
<b>Temp. up to 90 °C</b>	<b>Length up to 1200 mm</b>



**Applications**

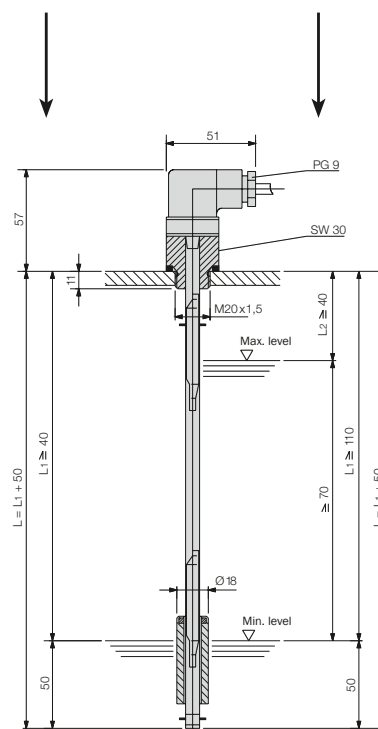
To guarantee an unobjectionable function, the oil level switch shall never be mounted nearby the filler neck or the oil return.

**Technical data**

Thread size		M 20 x 1,5
Mounting position		vertical $\pm 10^\circ$
Instrument plug		DIN 43650
Degree of protection		IP 65
Switching voltage	level	max. 230 VAC/230 VDC
	temperature	max. 250 VAC/250 VDC
Switching current	level	max. 0,8 A/0,8 A ind.
	temperature	max. 2,5 A/1,6 A ind.
	temperature	min. 50 mA
Switching capacity	level	max. 20 W/26 VA
Temperature hysteresis		max. 25 °C
Temperature accuracy		$\pm 10\%$
Temperature switching point	normally closed	+ 55/70/80/90 °C
	normally open	+ 60/70/80/90 °C
Contact function		normally closed or open
Medium		mineral oil

<b>Oil level switch</b>	<b>Type FS</b>
<b>Temp. up to 90 °C</b>	<b>Length up to 1200 mm</b>

Type	Contact function	Part. no.	Wiring diagram	Dimensions
Min. level	normally open	34200		Left side for min. level Right side for max. + Min. level
Min. level	normally closed	34201		34200 34201 34202 34203
Min. level + temperature	normally open	34202		34204 34205 34206 34207 34208 34209
Min. level + temperature	normally closed	34203		
Max. + Min. level	normally open	34204		
Max. + Min. level	normally closed	34205		
Min. level + temperature	normally open	34206		
Max. + Min. level + temperature	normally closed	34207		
Max. + Min. level	normally open / normally closed	34208		
Min. level + temperature	normally open / normally closed	34209		



Please indicate levels/temperature when placing your order.

Other types available on request.

As we are constantly improving our products, we keep us the right to change the technical specifications without prior notice.

**Bieri Hydraulik AG**  
Könizstrasse 274  
CH-3097 Liebefeld/Switzerland  
Tel. +41 31 970 09 09  
Fax +41 31 970 09 10  
sales@bierihydraulics.com

**BIERI**  
SWISS HYDRAULICS