

Features

- Leakage free
- High availability
- 100% duty cycle
- Ball-seated type
- Porting NG 4

Seated valves	Type HV700
NG 4 up to 700 bar	up to 12 l/min



Function and design

The seated valves are direct operated. The balls which are situated in the cartridge are pressed on the valve seat via springs or are opened via tappets. Hardened balls and valve seats ensure long life.

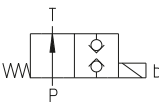
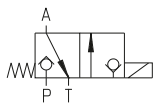
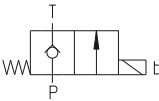
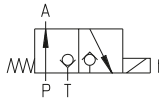
Type of operation

Depending on requirement either one or two dry DC-solenoids are mounted onto the valve block. Equipped with manual emergency operation.

Technical data

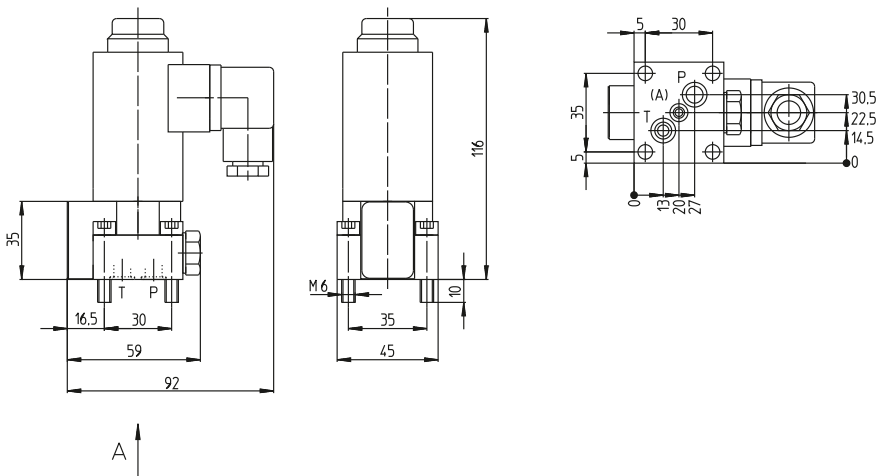
Hydraulic fluid	mineral oil according to DIN 51524 (other fluids on request)			
Fluid temperature range	NBR: -30 to 80 °C FPM: -20 to 80 °C			
Ambient temperature range	-30 to 50 °C			
Viscosity range	5 to 400 mm ² /s (optimal: 10 to 68)			
Porting	NG 4			
Operating pressure max. connection P, A	700 bar			
Pressure admissible max. connection T	350 bar			
Flow rate max.	12 l/min			
Filtration	according to NAS 1638, class 6 or ISO/DIN 4406 15/12			
Weight	see dimension drawings			
Duty cycle	100% (at 20 °C ambient temperature)			
Power	solenoid	12	VDC	19 W
	solenoid	24	VDC	19 W
	solenoid	107	VDC	19 W
	solenoid	196	VDC	19 W
Power tolerance	+/- 10%			
Switching time	40-120 ms			
Surface finish of the valves	steel: galvanized, yellow chromized Aluminium: anodized			

Seated valves	Type HV700
NG 4 up to 700 bar	up to 12 l/min

Function	Solenoid operated	AS	Function	Solenoid operated	AS
2/2-WS		A	3/2-L		A
2/2-WO		A	3/2-N		A

Valves type L and N with negative overlap.
Weight 0,85 kg

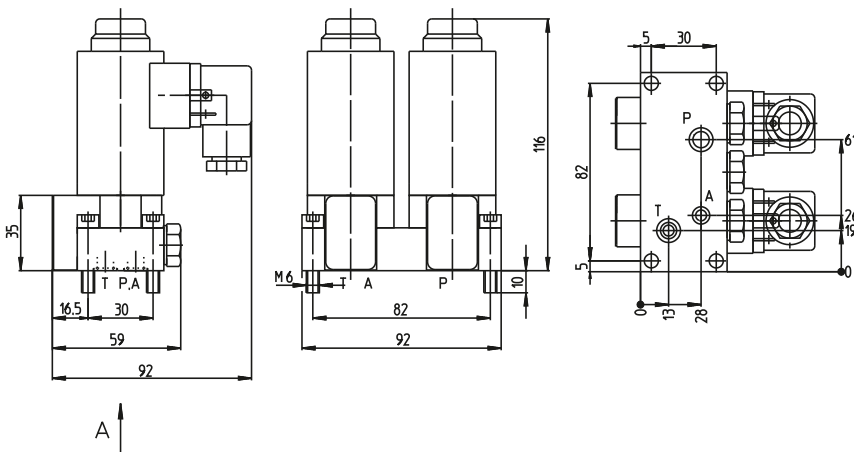
View A



Function	Solenoid operated	AS
3/3-K1		A

Weight 1,75 kg

View A

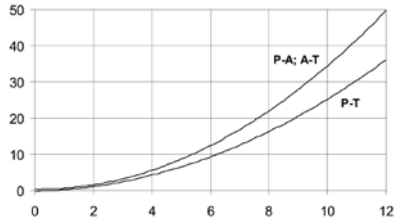


Seated valves	Type HV700
NG 4 up to 700 bar	up to 12 l/min

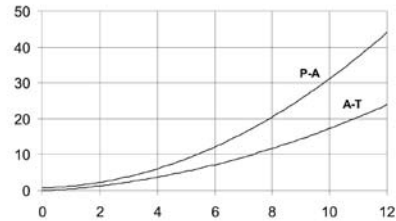
Characteristic

Measured at $v = 32 \text{ mm}^2/\text{s}$, $T = 40^\circ\text{C}$

2/2 and 3/2 way valves



3/3 way valves



Accessories

If supply voltage of 120 VAC (107 VDC) or 230 VAC (196 VDC) is used, the plugs must be fitted with rectifiers.

Plug with rectifier for A-solenoid (grey) part no. 903438
 Plug with rectifier for B-solenoid (black) part no. 903439

For each valve the following is included:

1 piece O-rings 5 x 1,5 mm 90°ShA part no. 919072
 2 pieces O-rings 8 x 1,5 mm 90°ShA part no. 919074
 4 pieces fixing screws M6 x 30 part no. 905088
 1 plug for A-solenoid (grey) part no. 901764
 and/or
 1 plug for B-solenoid (black) part no. 901762

Tie bolts as well as subplates and multi-station subplates see technical data sheet APH / EPH

Seated valves	Type HV700
NG 4 up to 700 bar	up to 12 l/min

Ordering code: Example

WVH	700	-	4	-	2	/	2	-	WS	-	24	-	P	-			00
-----	-----	---	---	---	---	---	---	---	----	---	----	---	---	---	--	--	----

Seated valve

Type HV700

Size 4

Ports 2,3

Positions 2, 3

Functions see table

Operated by	12	solenoid	12 VDC
	24	solenoid	24 VDC
	107	solenoid	107 VDC
	196	solenoid	196 VDC

Seals	P (NBR)
	V (FPM)

Special design01 ... 99
(00 for standard)**Part index**Please leave it blank
(small letters a-z;
different letters do not effect interchangeability)**Design revision (AS)**see table
(capital letters A-Z;
identical letters equal same connecting dimensions)

As we are constantly improving our products, we keep us the right to change the technical specifications without prior notice.

WVH700-EN-0608

Bieri Hydraulik AG
Könizstrasse 274
CH-3097 Liebefeld/Switzerland
Tel. +41 31 970 09 09
Fax +41 31 970 09 10
sales@bierihydraulics.com

BIERI
SWISS HYDRAULICS